

# PRODUCT INFORMATION PACKET



Model No: C4D17FK6J

Catalog No: 108023.00

..1HP..1750RPM.S56C.TEFC.180V...CONT.40C.1.0SF.RIGID C.C4D17FK6.....DC NEMA.....  
SCR



Regal and Leeson are trademarks of Regal Beloit Corporation or one of its affiliated companies.

©2018 Regal Beloit Corporation, All Rights Reserved. MC017097E





### Nameplate Specifications

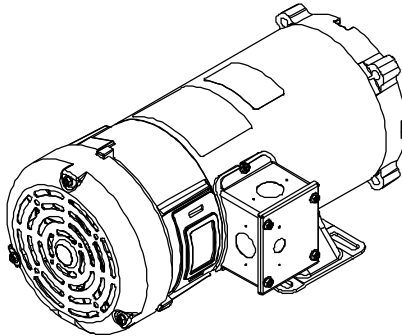
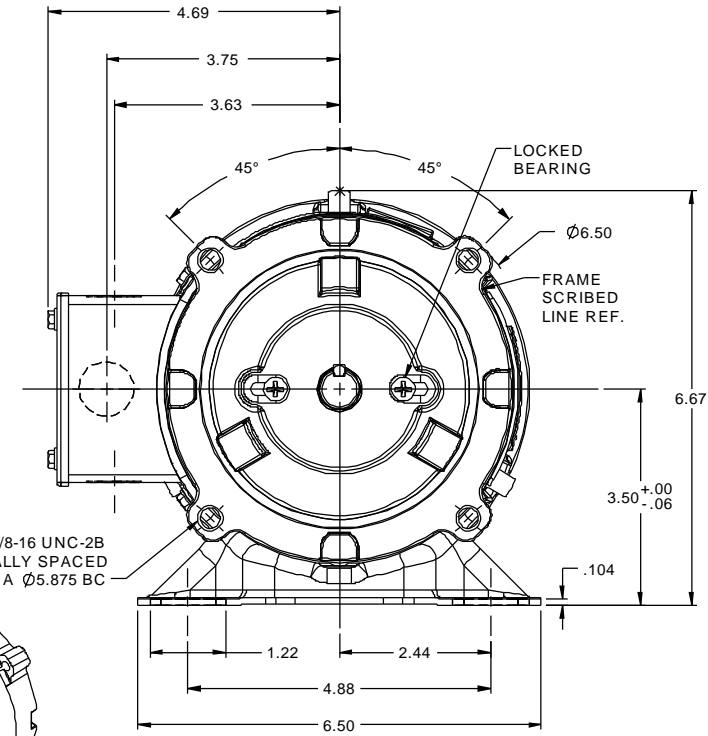
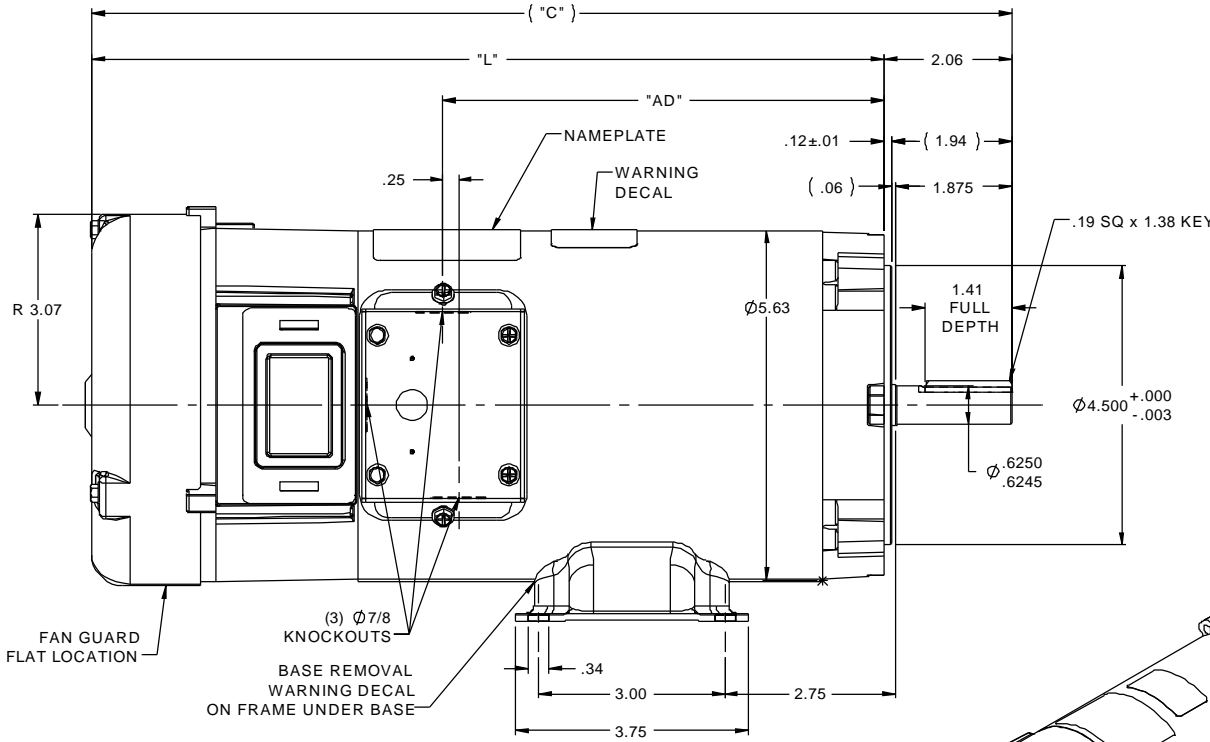
Output HP	<b>1 Hp</b>	Output KW	<b>0.75 kW</b>
Voltage	<b>180 V</b>	Current	<b>5.0 A</b>
Speed	<b>1750 rpm</b>	Service Factor	<b>1</b>
Efficiency	<b>85 %</b>	Duty	<b>Continuous</b>
Insulation Class	<b>F</b>	Frame	<b>S56C</b>
Enclosure	<b>Totally Enclosed Fan Cooled</b>	Overload Protector	<b>No</b>
Ambient Temperature	<b>40 °C</b>	Drive End Bearing Size	<b>6203</b>
Opp Drive End Bearing Size	<b>6203</b>	UL	<b>Recognized</b>
CSA	<b>Y</b>	CE	<b>N</b>

### Technical Specifications

Rotation	<b>Reversible</b>	Mounting	<b>Rigid C base</b>
Overall Length	<b>14.82 in</b>	Frame Length	<b>7.47 in</b>
Shaft Diameter	<b>0.625 in</b>	Shaft Extension	<b>2.06 in</b>
Outline Drawing	<b>031879-108023</b>		

**This is an uncontrolled document once printed or downloaded and is subject to change without notice. Date Created: 10/15/2018**

RBC PROPRIETARY AND CONFIDENTIAL INFORMATION  
 This document is the property of REGAL BELOIT CORPORATION ("RBC") including its subsidiaries and divisions and contains proprietary information of RBC. This document is based on the express condition that neither it nor the information contained therein shall be disclosed to others without the express written consent of RBC, and that the information shall be used by the recipient only as approved expressly by RBC. This document shall be returned to RBC upon request. This document may be subject to certain restrictions under U.S. export control laws and regulations.



- NOTES:  
 1) MAXIMUM FACE RUNOUT .004 T.I.R.  
 2) MAXIMUM PILOT ECCENTRICITY .004 T.I.R.  
 3) PERMISSIBLE SHAFT RUNOUT .002 T.I.R.  
 4) GASKETS THROUGHOUT

109100.00	15.82	13.76	8.10	90	3/4	1140
109099.00	14.32	12.26	6.60	90	1/2	1140
109098.00	12.82	10.76	5.10	90	1/3	1140
108265.00	15.32	13.26	7.60	180	1 1/2	2500
108092.00	16.82	14.76	9.10	180	1 1/2	1750
108023.00	14.82	12.76	7.10	180	1	1750
108022.00	14.82	12.76	7.10	90	1	1750
108021.00	13.82	11.76	6.10	180	1	2500
108020.00	13.32	11.26	5.60	90	1	2500
108019.00	13.82	11.76	6.10	180	3/4	1750
108018.00	13.82	11.76	6.10	90	3/4	1750
108017.00	12.82	10.76	5.10	180	3/4	2500
108016.00	12.82	10.76	5.10	90	3/4	2500
108015.00	12.82	10.76	5.10	180	1/2	1750
108014.00	12.82	10.76	5.10	90	1/2	1750
<b>CATALOG No.</b>	<b>"C"</b>	<b>"L"</b>	<b>"AD"</b>	<b>VOLTS</b>	<b>H.P.</b>	<b>RPM</b>

06	CHANGED .06 & 1.94 DIMS TO REF., ISAAC 12-0984	IPG 1/30/2013	TOLERANCES UNLESS SPECIFIED	<b>ELECTRIC MOTORS GEARMOTORS AND DRIVES</b>	DRAWN RWS 1/8/08
05	ADDED NOTE ABOUT FAN GUARD LOCATION, ISAAC 09-4813	IPG 12/4/2009	DEC INCHES		CHK IPG 1/9/08
04	CAT. # 108092.00: "C" WAS 17.32, "L" WAS 15.26, "AD" WAS 9.60, ISAAC 09-1828	IPG 5/14/2009	X ±.1	APPR	
03	ADDED DATA FOR VARIOUS CAT. NUMBERS, COMPLETED	IPG 9/15/2008	XX ±.03 XXX ±.005 XXXX ±.0005	TITLE OUTLINE 48 FRAME DC - S56C MOUNT	SCALE 1:2 REF 031189.00 FMF 108022.75
NO	REVISION	BY & DATE	CHK LANG ±1/2°	MATL	PAGE OF
	THIRD ANGLE PROJECTION		RFP	FINISH	
			PREV	SIZE	DRAWING NO
			NETWORK FILE NAME 031879	<b>B</b>	<b>031879</b>
					REV
					<b>06</b>